



Pfister® AutoGAP 2.0

Reduce maintenance and extend the lifetime of wear parts in your Pfister DRW rotor weighfeeder with automatic gap adjustment.

Benefits

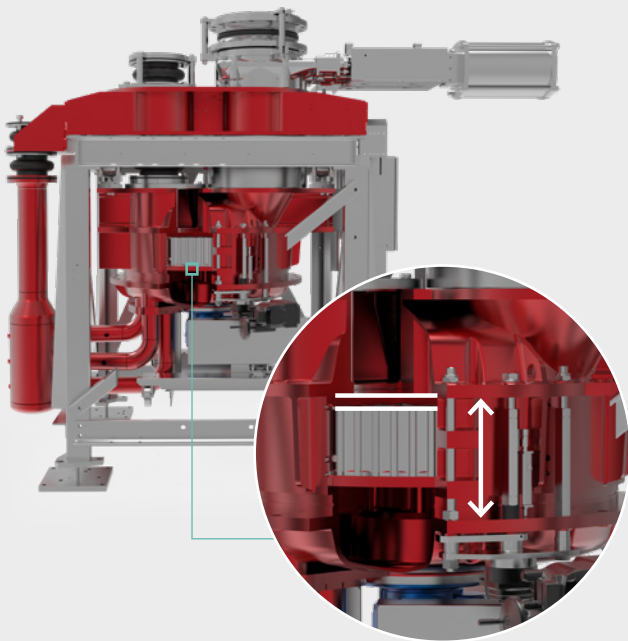
- Increased equipment performance
- Protection against blockages
- Reliable and accurate feeding
- Reduced maintenance costs

Mind the gap

Less wear. Low maintenance.

Getting the right gap width in your DRW rotor weighfeeder is crucial to smooth operation. If the gap is too large or too small, you risk blockages, reduced dosing accuracy and high levels of wear and tear. Manual adjustments are possible only when the machine is stopped – by which point it may be too late.

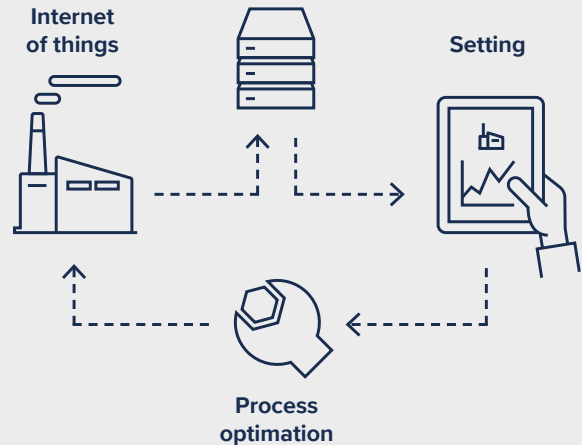
AutoGAP 2.0 automatically adjusts and controls the upper gap width, ensuring the best possible performance of your DRW rotor weighfeeder. Three distance sensors measure and adjust the gap between the upper and lower housing during feeder operation. The motor current is also monitored constantly to support the quick-open function.



Pfister® AutoGAP 2.0 actuator

Easy, predictive maintenance

With no more outages for gap adjustment, you can move from reactive to predictive maintenance. To help ensure the smooth running of your machine, AutoGAP 2.0 can be supplied with WiFi dashboard to monitor equipment performance, including motor current, speed, GAP position, and to set new parameters. Used in combination with Pfister® Wear Index you can process and analyse your data for more efficient, more effective maintenance planning.



FLSmidth A/S
Vigerslev Allé 77
2500 Valby
Denmark
Tel. +45 36 18 10 00
Fax +45 36 30 18 20
info@flsmidth.com

For information
Tel. +49 0821 7949 257
spares@flsmidthpfister.com
www.flsmidth.com/services/operational/feeding

Copyright © 2019 FLSmidth A/S. ALL RIGHTS RESERVED.
FLSmidth and PFISTER are (registered) trademark of FLSmidth A/S.
This brochure makes no offers, representations or warranties (express or implied), and information and data contained in this brochure are for general reference only and may change at any time.